

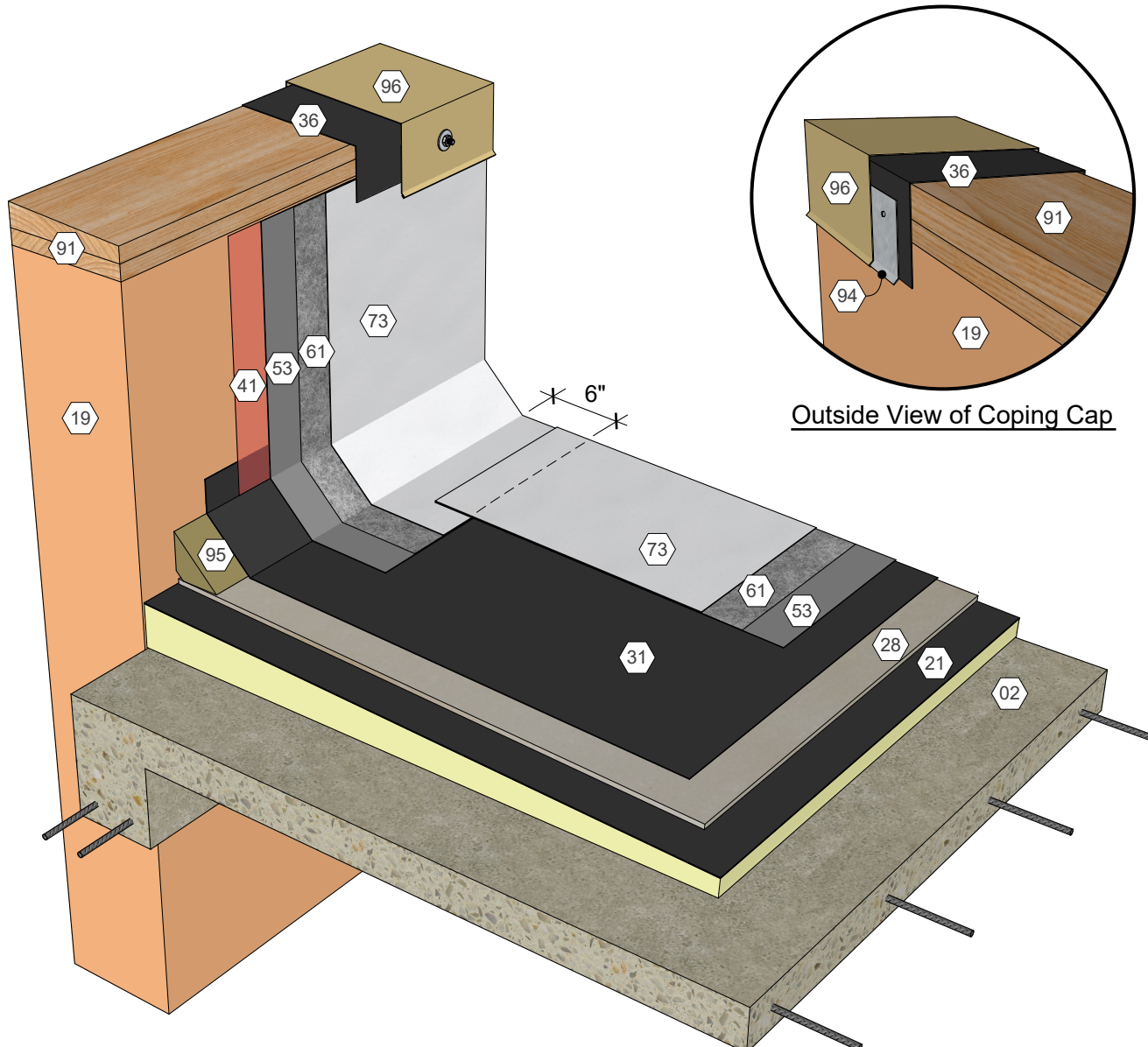
Outside View of Coping Cap

KEY NOTES

- 01 Metal Deck
- 09 Roof Structure
- 19 Wall Assembly
- 22 Polyisocyanurate Insulation (Fastened or Adhered)
- 28 Cover Board (Adhered)
- 31 Approved Base Ply Sheet
- 36 Base Sheet Liner
- 41 Approved Primer
- 53 AlphaGuard PUMA Base Coat
- 61 AlphaGuard Glass Mat or Permafab
- 73 AlphaGaurd PUMA Top Coat
- 91 Wood Blocking
- 94 Continuous Cleat
- 95 Cant Strip
- 96 Metal Coping

AlphaGuard® PUMA Plus Coping Cap Detail, Metal Deck
Detail 24011





Outside View of Copping Cap

KEY NOTES

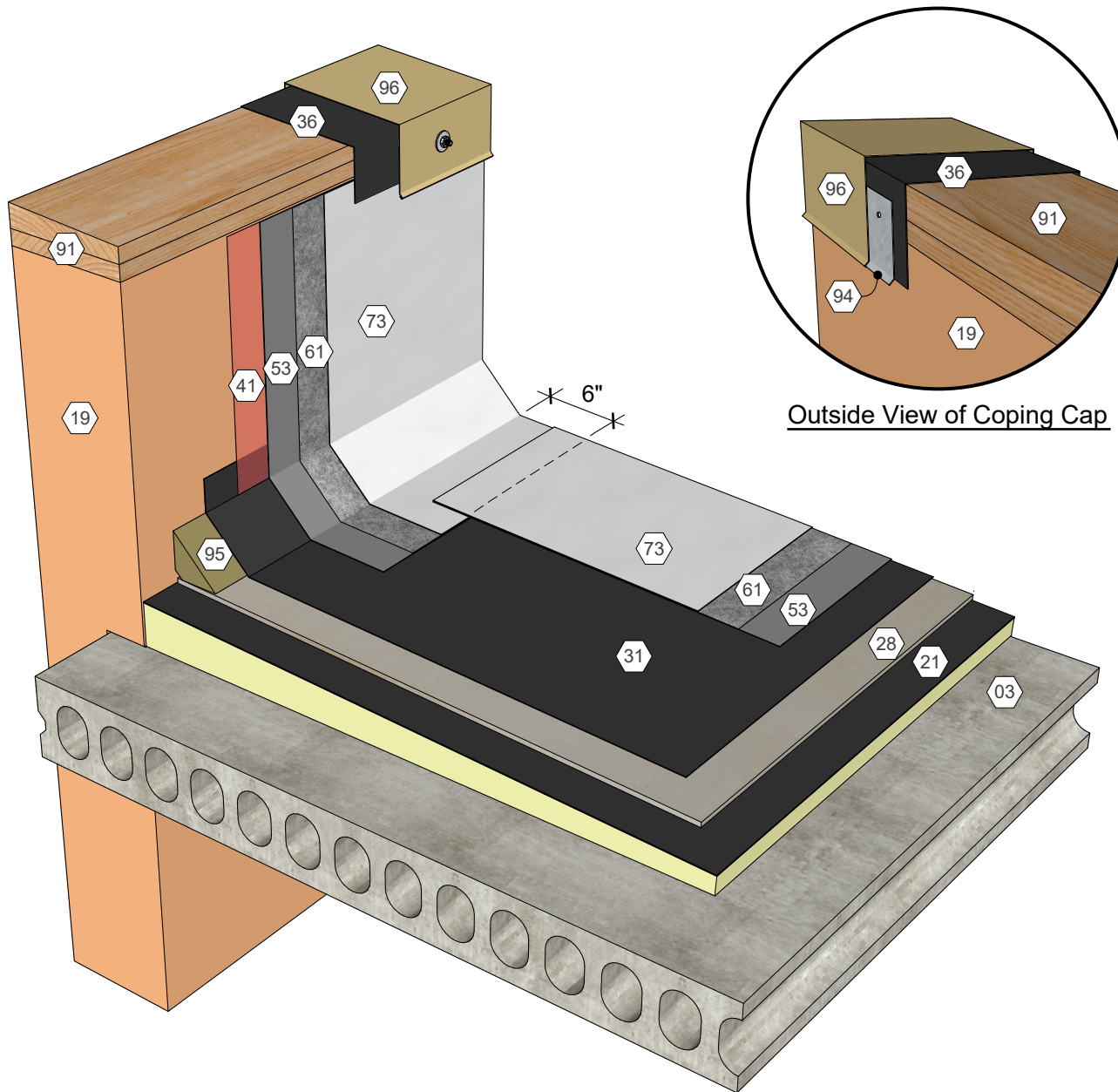
- 02 Structural Concrete Deck
- 19 Wall Assembly
- 21 Polyisocyanurate Insulation (Adhered)
- 28 Cover Board (Adhered)
- 31 Approved Base Ply Sheet
- 36 Base Sheet Liner
- 41 Approved Primer
- 53 AlphaGuard PUMA Base Coat
- 61 AlphaGuard Glass Mat or Permafab
- 73 AlphaGaurd PUMA Top Coat
- 91 Wood Blocking
- 94 Continuous Cleat
- 95 Cant Strip
- 96 Metal Coping

AlphaGuard® PUMA Plus Copping Cap Detail, Structural Concrete Deck
Detail 24012



KEY NOTES

- 03 Precast Concrete Deck
- 19 Wall Assembly
- 21 Polyisocyanurate Insulation (Adhered)
- 28 Cover Board (Adhered)
- 31 Approved Base Ply Sheet
- 36 Base Sheet Liner
- 41 Approved Primer
- 53 AlphaGuard PUMA Base Coat
- 61 AlphaGuard Glass Mat or Permafab
- 73 AlphaGaurd PUMA Top Coat
- 91 Wood Blocking
- 94 Continuous Cleat
- 95 Cant Strip
- 96 Metal Coping



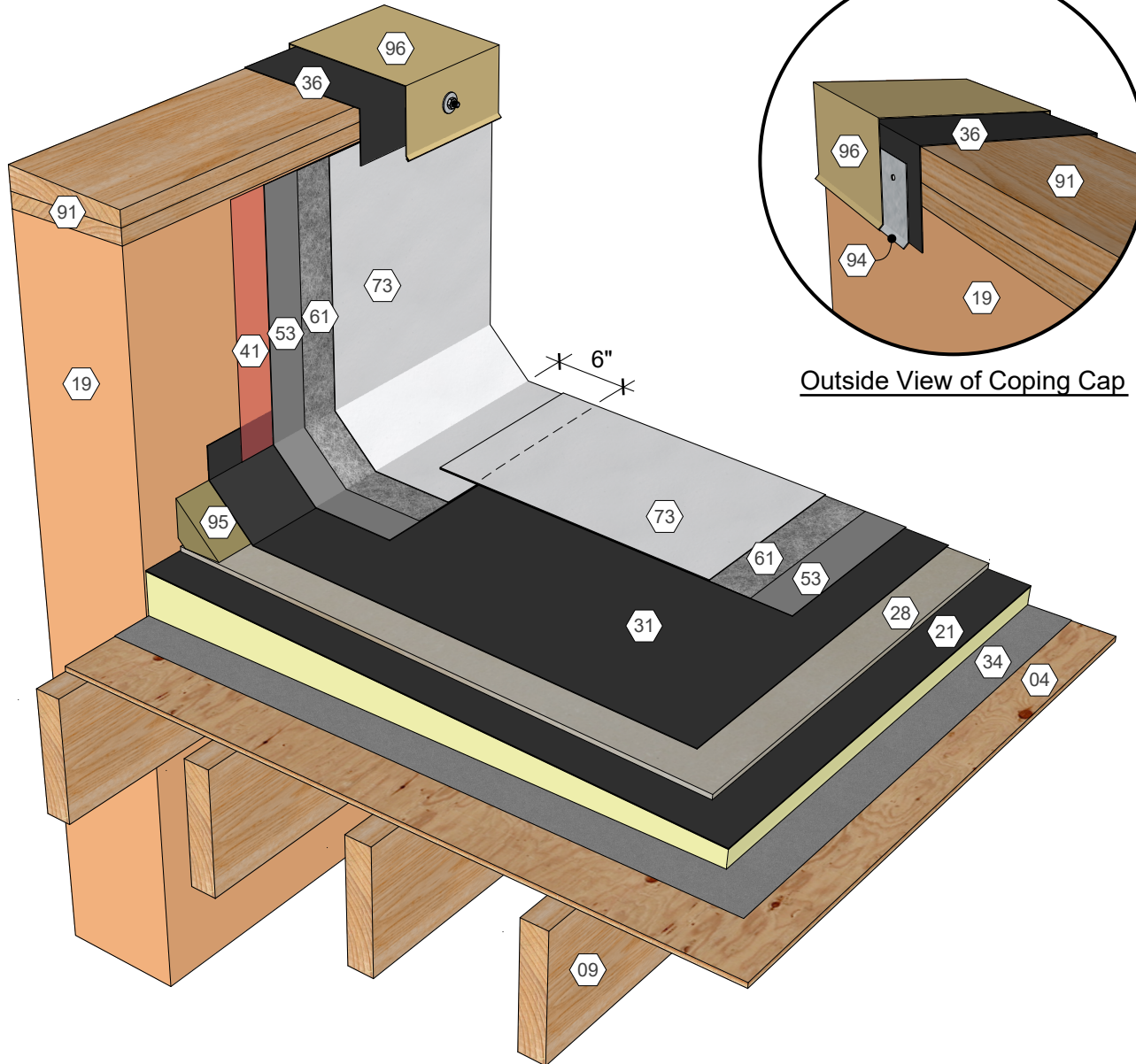
Outside View of Copping Cap

AlphaGuard® PUMA Plus Copping Cap Detail, Precast Concrete Deck
Detail 24013

TREMCO
ROOFING & BUILDING MAINTENANCE

KEY NOTES

- ④ Wood Deck
- ⑨ Roof Structure
- ⑱ Wall Assembly
- ⑳ Polyisocyanurate Insulation (Adhered)
- ㉘ Cover Board (Adhered)
- ㉛ Approved Base Ply Sheet
- ㉜ Base Sheet (Fastened)
- ㉞ Base Sheet Liner
- ㉟ Approved Primer
- ㊱ AlphaGuard PUMA Base Coat
- ㊲ AlphaGuard Glass Mat or Permafab
- ㊳ AlphaGuard PUMA Top Coat
- ㊴ Wood Blocking
- ㊵ Continuous Cleat
- ㊶ Cant Strip
- ㊷ Metal Copping



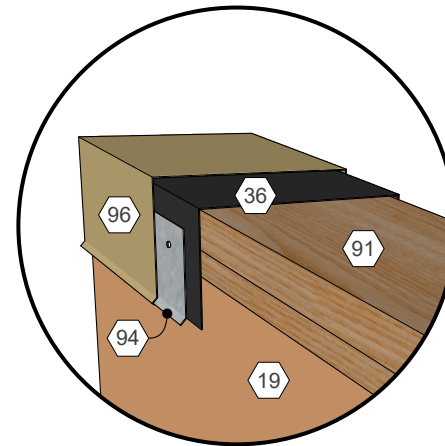
Outside View of Copping Cap

AlphaGuard® PUMA Plus Copping Cap Detail, Wood Deck
Detail 24014

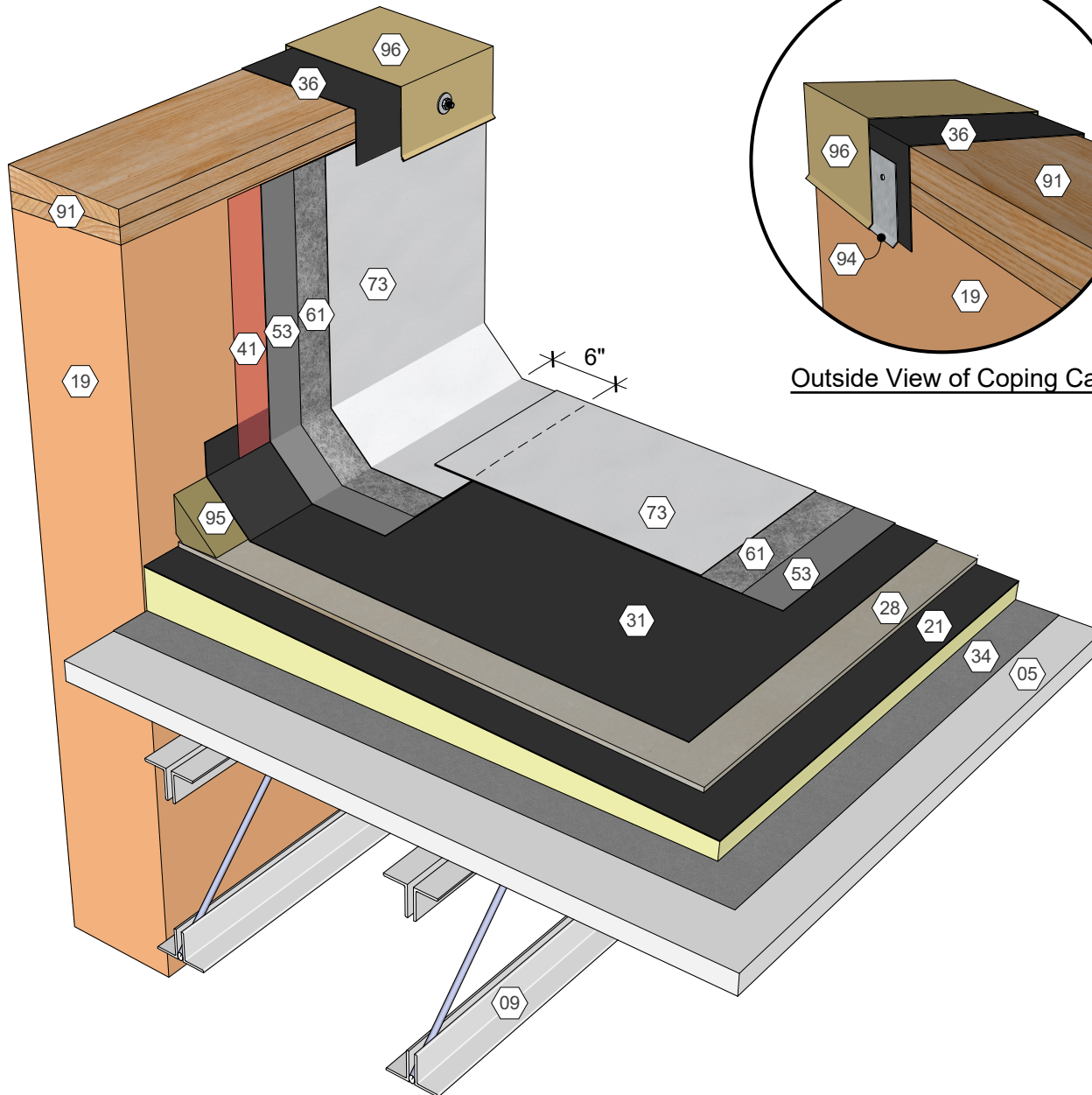
TREMCO
ROOFING & BUILDING MAINTENANCE

KEY NOTES

- 05 Gypsum Deck
- 09 Roof Structure
- 19 Wall Assembly
- 21 Polyisocyanurate Insulation (Adhered)
- 28 Cover Board (Adhered)
- 31 Approved Base Ply Sheet
- 34 Base Sheet (Fastened)
- 36 Base Sheet Liner
- 41 Approved Primer
- 53 AlphaGuard PUMA Base Coat
- 61 AlphaGuard Glass Mat or Permafab
- 73 AlphaGaurd PUMA Top Coat
- 91 Wood Blocking
- 94 Continuous Cleat
- 95 Cant Strip
- 96 Metal Copping



Outside View of Copping Cap



AlphaGuard® PUMA Plus Copping Cap Detail, Gypsum Deck
Detail 24015